

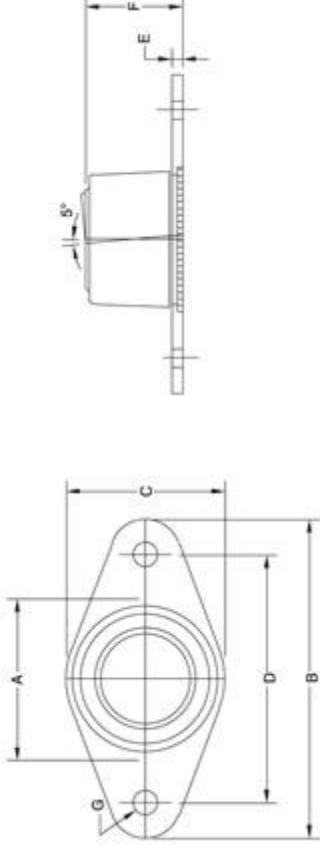


## Bearings - Spyrafllo - Flange Mount - Self Aligning

Low profile self aligning flange mounted needle roller, acetal and bronze bearings

See links at bottom of web page for more information

+/- 5% Static Alignment



This catalogue to be read in conjunction with information at <http://www.minibearings.com.au/ogue/tech/spyrafllo/spyrafllo/Sizes and Types Guide.pdf>  
<http://www.minibearings.com.au/ogue/tech/>  
<http://www.minibearings.com.au/www.spyrafllo.com/products/animation.php>

### Bearings - Spyrafllo - Flange Mount - Self Aligning

Part Number	Nominal Shaft Size mm	Max. Radial Dynamic Load N	Material	Min to Max Shaft Dia. mm	Max Speed RPM	A mm	B mm	C mm	D mm	More Information
# BFM-125-N	3.175	1601	Needle Roller	3.167 to 3.175	31500	13.46	45.72	22.35	30.99	Refer Tech Data Sheet
# BFM-4M-B	4.000	-	Sintered Bronze SAE840	-	-	-	-	-	-	Refer Tech Data Sheet
# BFM-4M-P	4.000	-	Teflon Bronze	-	-	-	-	-	-	Refer Tech Data Sheet
# BFM-4M-N	4.000	1780	Needle Roller	3.992 to 4.000	41000	17.00	53.00	30.00	39.00	Refer Tech Data Sheet

E&OE Pricing and all details subject to change without notice - Copyright Miniature Bearings Australia Pty Ltd  
MBA Size Listings are a guide to sizes only and must not be solely relied on for critical design information.

## Bearings - Spyraflo - Flange Mount - Self Aligning

Part Number	Nominal Shaft Size mm	Max. Radial Dynamic Load N	Material	Min to Max Shaft Dia. mm	Max Speed RPM	A mm	B mm	C mm	D mm	More Information
# BFM-187-P	4.762	-	Teflon Bronze	-	-	-	-	-	-	Refer Tech Data Sheet
# BFM-187-A	4.762	222	Delrin	4.788 to 4.839	2010	10.41	45.72	22.10	30.73	Refer Tech Data Sheet
# BFM-187-AF	4.762	222	Delrin AF	4.789 to 4.839	3820	10.41	45.72	22.10	30.73	Refer Tech Data Sheet
# BFM-187-B	4.762	845	Sintered Bronze SAE840	4.783 to 4.796	20310	13.46	45.72	22.35	30.99	Refer Tech Data Sheet
# BFM-187-N	4.762	1913	Needle Roller	4.750 to 4.763	21000	16.76	53.34	30.23	38.86	Refer Tech Data Sheet
# BFM-6M-A	6.000	270	Delrin	6.020 to 6.070	1620	11.00	45.00	22.00	31.00	Refer Tech Data Sheet
# BFM-6M-AF	6.000	270	Delrin AF	6.020 to 6.070	1620	11.00	45.00	22.00	31.00	Refer Tech Data Sheet
# BFM-6M-B	6.000	790	Sintered Bronze SAE840	6.020 to 6.040	16110	13.50	45.00	22.30	31.00	Refer Tech Data Sheet
# BFM-6M-HT	6.000	1780	Teflon Bronze - High Temperature	5.978 to 5.990	6361	16.50	53.00	30.20	39.00	Refer Tech Data Sheet
# BFM-6M-LT	6.000	1780	Teflon Bronze - Low Temperature	5.978 to 5.990	6361	16.50	53.00	30.20	39.00	Refer Tech Data Sheet
# BFM-6M-N	6.000	2030	Needle Roller	5.992 to 6.000	35000	17.00	53.00	30.00	39.00	Refer Tech Data Sheet
# BFM-6M-P	6.000	4500	Teflon Bronze	5.978 to 5.990	6360	16.50	53.00	30.20	39.00	Refer Tech Data Sheet
# BFM-250-AF	6.350	311	Delrin AF	6.375 to 6.426	2890	10.41	45.72	22.10	30.73	Refer Tech Data Sheet
# BFM-250-A	6.350	311	Teflon Bronze	6.375 to 6.426	1520	10.32	45.72	22.10	30.73	Refer Tech Data Sheet

**E&OE Pricing and all details subject to change without notice - Copyright Miniature Bearings Australia Pty Ltd**  
**MBA Size Listings are a guide to sizes only and must not be solely relied on for critical design information.**

## Bearings - Spyrafllo - Flange Mount - Self Aligning

Part Number	Nominal Shaft Size mm	Max. Radial Dynamic Load N	Material	Min to Max Shaft Dia. mm	Max Speed RPM	A mm	B mm	C mm	D mm	More Information
# BFM-250-B	6.350	845	Sintered Bronze SAE840	6.370 to 6.383	15270	13.49	45.72	22.35	30.99	Refer Tech Data Sheet
# BFM-250-LT	6.350	1913	Teflon Bronze - Low Temperature	6.302 to 6.325	6015	16.76	53.34	30.23	38.86	Refer Tech Data Sheet
# BFM-250-HT	6.350	1913	Teflon Bronze - High Temperature	6.302 to 6.325	6015	16.76	53.34	30.23	38.86	Refer Tech Data Sheet
# BFM-250-N	6.350	2535	Needle Roller	6.337 to 6.350	44000	16.67	53.34	30.23	38.86	Refer Tech Data Sheet
# BFM-250-P	6.350	7562	Teflon Bronze	6.299 to 6.325	6020	16.67	53.34	30.23	38.86	Refer Tech Data Sheet
# BFM-312-AF	7.938	534	Delrin AF	7.963 to 8.014	1220	15.08	53.34	30.23	38.86	Refer Tech Data Sheet
# BFM-312-A	7.938	534	Delrin	7.963 to 8.014	1220	15.08	53.34	30.23	38.86	Refer Tech Data Sheet
# BFM-312-B	7.938	1201	Sintered Bronze SAE840	7.958 to 7.976	12240	16.67	53.34	30.23	38.86	Refer Tech Data Sheet
# BFM-312-LT	7.938	1913	Teflon Bronze - Low Temperature	7.889 to 7.912	4820	16.76	53.34	30.23	38.86	Refer Tech Data Sheet
# BFM-312-HT	7.938	1913	Teflon Bronze - High Temperature	7.889 to 7.912	4820	16.76	53.34	30.23	38.86	Refer Tech Data Sheet
# BFM-312-N	7.938	2891	Needle Roller	7.925 to 7.938	35500	21.43	45.21	31.75	30.99	Refer Tech Data Sheet
# BFM-312-P	7.938	9430	Teflon Bronze	7.889 to 7.912	4820	16.67	53.34	30.23	38.86	Refer Tech Data Sheet
# BFM-8M-AF	8.000	530	Delrin AF	8.030 to 8.080	1210	17.00	53.00	30.00	39.00	Refer Tech Data Sheet
# BFM-8M-A	8.000	530	Delrin	8.030 to 8.080	1210	17.00	53.00	30.00	39.00	Refer Tech Data Sheet

**E&OE Pricing and all details subject to change without notice - Copyright Miniature Bearings Australia Pty Ltd**  
**MBA Size Listings are a guide to sizes only and must not be solely relied on for critical design information.**

## Bearings - Spyrafllo - Flange Mount - Self Aligning

Part Number	Nominal Shaft Size mm	Max. Radial Dynamic Load N	Material	Min to Max Shaft Dia. mm	Max Speed RPM	A mm	B mm	C mm	D mm	More Information
# BFM-8M-B	8.000	1190	Sintered Bronze SAE840	8.020 to 8.040	12120	17.00	53.00	30.20	39.00	Refer Tech Data Sheet
# BFM-8M-LT	8.000	1780	Teflon Bronze - Low Temperature	7.972 to 7.987	4771	16.50	53.00	30.20	39.00	Refer Tech Data Sheet
# BFM-8M-HT	8.000	1780	Teflon Bronze - High Temperature	7.972 to 7.987	4771	16.50	53.00	30.20	39.00	Refer Tech Data Sheet
# BFM-8M-N	8.000	2750	Needle Roller	7.991 to 8.000	28000	22.00	45.00	31.80	30.90	Refer Tech Data Sheet
# BFM-8M-P	8.000	8000	Teflon Bronze	7.972 to 7.987	4770	16.50	53.00	30.20	39.00	Refer Tech Data Sheet
# BFM-375-AF	9.525	845	Delrin AF	9.550 to 9.601	1010	16.67	53.34	30.23	38.86	Refer Tech Data Sheet
# BFM-375-A	9.525	845	Delrin	9.550 to 9.601	1010	16.67	53.34	30.23	38.86	Refer Tech Data Sheet
# BFM-375-B	9.525	1423	Sintered Bronze SAE840	9.545 to 9.563	10180	16.67	53.34	30.23	38.86	Refer Tech Data Sheet
# BFM-375-LT	9.525	2669	Teflon Bronze - Low Temperature	9.477 to 9.500	4010	21.34	59.69	36.32	45.21	Refer Tech Data Sheet
# BFM-375-HT	9.525	2669	Teflon Bronze - High Temperature	9.477 to 9.500	4010	21.34	59.69	36.32	45.21	Refer Tech Data Sheet
# BFM-375-N	9.525	2891	Needle Roller	9.512 to 9.525	29500	21.43	45.21	31.75	30.99	Refer Tech Data Sheet
# BFM-375-P	9.525	15124	Teflon Bronze	9.477 to 9.500	4010	21.43	59.69	36.32	45.21	Refer Tech Data Sheet
# BFM-10M-A	10.000	860	Delrin	10.030 to 10.080	970	17.00	53.00	30.00	39.00	Refer Tech Data Sheet
# BFM-10M-AF	10.000	860	Delrin AF	10.030 to 10.080	970	17.00	53.00	30.00	39.00	Refer Tech Data Sheet

**E&OE Pricing and all details subject to change without notice - Copyright Miniature Bearings Australia Pty Ltd**  
**MBA Size Listings are a guide to sizes only and must not be solely relied on for critical design information.**

## Bearings - Spyrafllo - Flange Mount - Self Aligning

Part Number	Nominal Shaft Size mm	Max. Radial Dynamic Load N	Material	Min to Max Shaft Dia. mm	Max Speed RPM	A mm	B mm	C mm	D mm	More Information
# BFM-10M-B	10.000	1490	Sintered Bronze SAE840	10.020 to 10.040	9700	17.00	53.00	30.20	39.00	Refer Tech Data Sheet
# BFM-10M-HT	10.000	2550	Teflon Bronze - High Temperature	9.972 to 9.987	3817	22.00	60.00	36.50	45.20	Refer Tech Data Sheet
# BFM-10M-LT	10.000	2550	Teflon Bronze - Low Temperature	9.972 to 9.987	3817	22.00	60.00	36.50	45.20	Refer Tech Data Sheet
# BFM-10M-N	10.000	4400	Needle Roller	9.991 to 10.000	23000	22.00	45.00	31.80	30.90	Refer Tech Data Sheet
# BFM-10M-P	10.000	12500	Teflon Bronze	9.972 to 9.987	3820	22.00	60.00	36.50	45.20	Refer Tech Data Sheet
# BFM-12M-A	12.000	1330	Delrin	12.030 to 12.080	810	22.00	60.00	36.50	45.00	Refer Tech Data Sheet
# BFM-12M-AF	12.000	1330	Delrin AF	12.030 to 12.080	810	22.00	60.00	36.50	45.00	Refer Tech Data Sheet
# BFM-12M-B	12.000	2530	Sintered Bronze SAE840	12.030 to 12.050	8060	21.50	60.00	36.50	45.20	Refer Tech Data Sheet
# BFM-12M-HT	12.000	2550	Teflon Bronze - High Temperature	11.966 to 11.984	3181	22.00	60.00	36.50	45.20	Refer Tech Data Sheet
# BFM-12M-LT	12.000	2550	Teflon Bronze - Low Temperature	11.966 to 11.984	3181	22.00	60.00	36.50	45.20	Refer Tech Data Sheet
# BFM-12M-N	12.000	4950	Needle Roller	11.989 to 12.000	20000	28.00	60.00	39.60	45.20	Refer Tech Data Sheet
# BFM-12M-P	12.000	15000	Teflon Bronze	11.966 to 11.984	3180	22.00	60.00	36.50	45.20	Refer Tech Data Sheet
# BFM-500-A	12.700	1423	Delrin	12.725 to 12.802	760	21.43	59.69	36.32	45.21	Refer Tech Data Sheet
# BFM-500-AF	12.700	1423	Delrin AF	12.725 to 12.802	760	21.43	59.69	36.32	45.21	Refer Tech Data Sheet

**E&OE Pricing and all details subject to change without notice - Copyright Miniature Bearings Australia Pty Ltd**  
**MBA Size Listings are a guide to sizes only and must not be solely relied on for critical design information.**

## Bearings - Spyrafllo - Flange Mount - Self Aligning

Part Number	Nominal Shaft Size mm	Max. Radial Dynamic Load N	Material	Min to Max Shaft Dia. mm	Max Speed RPM	A mm	B mm	C mm	D mm	More Information
# BFM-500-B	12.700	2669	Sintered Bronze SAE840	12.725 to 12.743	7640	21.43	59.69	36.58	45.21	Refer Tech Data Sheet
# BFM-500-HT	12.700	4226	Teflon Bronze - High Temperature	12.649 to 12.675	3008	27.69	59.69	39.62	45.21	Refer Tech Data Sheet
# BFM-500-LT	12.700	4226	Teflon Bronze - Low Temperature	12.649 to 12.675	3008	27.69	59.69	39.62	45.21	Refer Tech Data Sheet
# BFM-500-N	12.700	4626	Needle Roller	12.687 to 12.700	22000	27.78	59.44	39.62	45.21	Refer Tech Data Sheet
# BFM-500-P	12.700	20150	Teflon Bronze	12.649 to 12.675	3010	27.78	59.69	39.62	45.21	Refer Tech Data Sheet
# BFM-15M-AF	15.000	1870	Delrin AF	15.030 to 15.080	650	28.00	60.00	39.70	45.00	Refer Tech Data Sheet
# BFM-15M-A	15.000	1870	Delrin	15.030 to 15.080	650	28.00	60.00	39.70	45.00	Refer Tech Data Sheet
# BFM-15M-B	15.000	3750	Sintered Bronze SAE840	15.030 to 15.050	6460	28.00	60.00	39.70	45.20	Refer Tech Data Sheet
# BFM-15M-N	15.000	7900	Needle Roller	14.989 to 15.000	16000	33.00	60.00	47.00	45.20	Refer Tech Data Sheet
# BFM-625-AF	15.875	2002	Delrin AF	15.800 to 15.951	610	27.78	59.69	39.62	45.21	Refer Tech Data Sheet
# BFM-625-A	15.875	2002	Delrin	15.800 to 15.951	610	27.78	59.69	39.62	45.21	Refer Tech Data Sheet
# BFM-625-B	15.875	3959	Sintered Bronze SAE840	15.900 to 15.926	6110	27.78	59.69	39.62	45.21	Refer Tech Data Sheet
# BFM-625-HT	15.875	5115	Teflon Bronze - High Temperature	15.824 to 15.850	2410	32.51	59.69	46.99	45.21	Refer Tech Data Sheet

**E&OE Pricing and all details subject to change without notice - Copyright Miniature Bearings Australia Pty Ltd**  
**MBA Size Listings are a guide to sizes only and must not be solely relied on for critical design information.**

## Bearings - Spyrafllo - Flange Mount - Self Aligning

Part Number	Nominal Shaft Size mm	Max. Radial Dynamic Load N	Material	Min to Max Shaft Dia. mm	Max Speed RPM	A mm	B mm	C mm	D mm	More Information
# BFM-625-LT	15.875	5115	Teflon Bronze - Low Temperature	15.824 to 15.850	2410	32.51	59.69	46.99	45.21	Refer Tech Data Sheet
# BFM-625-N	15.875	8140	Needle Roller	15.862 to 15.875	17600	32.54	59.44	46.99	45.21	Refer Tech Data Sheet
# BFM-625-P	15.875	25221	Teflon Bronze	15.824 to 15.850	2410	32.54	59.69	46.99	45.21	Refer Tech Data Sheet
# BFM-16M-A	16.000	1870	Delrin	16.030 to 16.050	650	28.00	60.00	39.70	45.00	Refer Tech Data Sheet
# BFM-16M-B	16.000	4000	Sintered Bronze SAE840	16.030 to 16.050	5500	28.00	60.00	39.70	45.20	Refer Tech Data Sheet
# BFM-16M-LT	16.000	4800	Teflon Bronze - Low Temperature	15.966 to 15.984	2390	28.00	60.00	39.70	45.20	Refer Tech Data Sheet
# BFM-16M-HT	16.000	4800	Teflon Bronze - High Temperature	15.966 to 15.984	2390	28.00	60.00	39.70	45.20	Refer Tech Data Sheet
# BFM-16M-P	16.000	20000	Teflon Bronze	15.966 to 15.984	2390	28.00	60.00	39.70	45.20	Refer Tech Data Sheet
# BFM-18M-A	18.000	2680	Delrin	18.030 to 18.080	540	33.00	60.00	47.00	45.20	Refer Tech Data Sheet
# BFM-18M-AF	18.000	2680	Delrin AF	18.030 to 18.080	540	33.00	60.00	47.00	45.20	Refer Tech Data Sheet
# BFM-18M-B	18.000	5370	Sintered Bronze SAE840	18.030 to 18.050	5380	32.50	60.00	47.00	45.20	Refer Tech Data Sheet
# BFM-18M-LT	18.000	6200	Teflon Bronze - Low Temperature	17.966 to 17.984	2120	33.00	60.00	47.00	45.20	Refer Tech Data Sheet
# BFM-18M-HT	18.000	6200	Teflon Bronze - High Temperature	17.966 to 17.984	2120	33.00	60.00	47.00	45.20	Refer Tech Data Sheet

**E&OE Pricing and all details subject to change without notice - Copyright Miniature Bearings Australia Pty Ltd**  
**MBA Size Listings are a guide to sizes only and must not be solely relied on for critical design information.**

## Bearings - Spyraflo - Flange Mount - Self Aligning

Part Number	Nominal Shaft Size mm	Max. Radial Dynamic Load N	Material	Min to Max Shaft Dia. mm	Max Speed RPM	A mm	B mm	C mm	D mm	More Information
# BFM-18M-P	18.000	33750	Teflon Bronze	17.966 to 17.984	2120	33.00	60.00	47.00	45.20	Refer Tech Data Sheet
# BFM-750-AF	19.050	2847	Delrin AF	19.075 to 19.126	510	32.54	59.44	46.99	45.21	Refer Tech Data Sheet
# BFM-750-A	19.050	2847	Delrin	19.075 to 19.126	510	32.54	59.44	46.99	45.21	Refer Tech Data Sheet
# BFM-750-B	19.050	5694	Sintered Bronze SAE840	19.075 to 19.101	5090	32.54	59.69	46.99	45.21	Refer Tech Data Sheet
# BFM-750-LT	19.050	6672	Teflon Bronze - Low Temperature	18.997 to 19.027	1500	32.51	59.69	46.99	45.21	Refer Tech Data Sheet
# BFM-750-P	19.050	30248	Teflon Bronze	19.000 to 19.027	2010	32.54	59.69	46.99	45.21	Refer Tech Data Sheet
# BFM-20M-A	20.000	2600	Delrin	20.030 to 20.080	475	33.00	60.00	47.00	45.20	Refer Tech Data Sheet
# BFM-20M-B	20.000	4800	Sintered Bronze SAE840	20.030 to 20.050	5200	32.50	60.00	47.00	45.20	Refer Tech Data Sheet
# BFM-875-B	22.225	-	Sintered Bronze SAE840	-	-	-	-	-	-	Refer Tech Data Sheet
# BFM-1000-A	25.400	-	Delrin	-	-	-	-	-	-	Refer Tech Data Sheet
# BFM-1000-B	25.400	-	Sintered Bronze SAE840	-	-	-	-	-	-	Refer Tech Data Sheet

**E&OE Pricing and all details subject to change without notice - Copyright Miniature Bearings Australia Pty Ltd  
MBA Size Listings are a guide to sizes only and must not be solely relied on for critical design information.**

DISTRIBUTED BY



**H.E. Supplies Pty Ltd**

**Hobby Supplies  
Engineering Supplies**



ABN 54 125 001 541

Phone: 07 3216 8166 Fax: 07 3349 1400 <http://www.hobbyparts.com.au/>

**SDPSI**  
Stock Line Products/Selling Instrument



**GRO**

**JJK**



**DualVee**  
Bishop-Wisecarver Corp.

ANOTHER QUALITY PRODUCT BY  
**MOYTEC**  
motors



**ondrives**

**Origin**  
BEARING

**rino**

**RMB**

**WIB**



**SOLARBOTICS**

**THOMSON**

**inox**  
Quality Products

**KSK**  
BALL BEARING