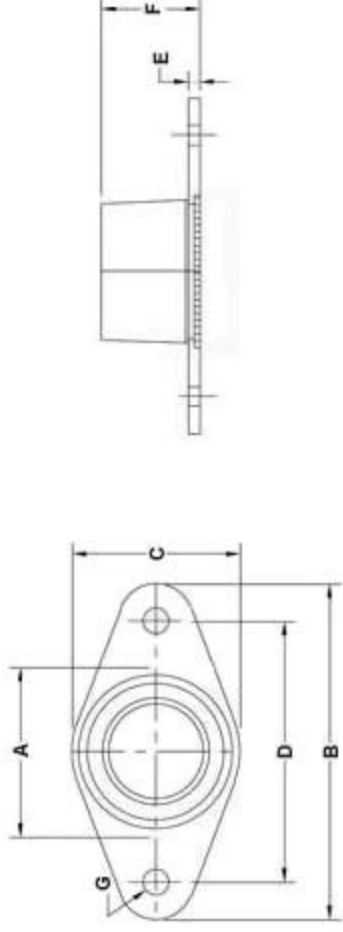




Bearings - Spyraflo - Flange Mount - Non Aligning

Low profile flange mounted needle roller and bronze bearings

See links at bottom of web page for more information



This catalogue to be read in conjunction with information at [http://www.minibearings.com.au/ogue/tech/spyraflo/Spyraflo Sizes and Types Guide.pdf](http://www.minibearings.com.au/ogue/tech/spyraflo/spyraflo/Sizes and Types Guide.pdf)

<http://www.minibearings.com.au/ogue/tech/>

<http://www.minibearings.com.au/www.spyraflo.com/products/animation.php>

Bearings - Spyraflo - Flange Mount - Non Aligning

Part Number	Nominal Shaft Size mm	Max. Radial Dynamic Load N	Material	Min to Max Shaft Dia. mm	Max Speed RPM	A mm	B mm	C mm	D mm	More Information
# BFM-4M-PN	4.000	Insert Load Here	Teflon Bronze							
# BFM-6M-NN	6.000	2030	Needle Roller	5.992 to 6.000	35000	16.70	53.00	30.00	38.80	Refer Tech Data Sheet
# BFM-6M-PN	6.000	4500	Teflon Bronze	5.978 to 5.990	6360	13.00	45.00	22.20	31.00	Refer Tech Data Sheet
# BFM-250-NN	6.350	2535	Needle Roller	6.337 to 6.350	44000	16.67	53.34	30.23	38.86	Refer Tech Data Sheet
# BFM-250-PN	6.350	7562	Teflon Bronze	6.299 to 6.325	6020	13.49	45.72	22.35	30.73	Refer Tech Data Sheet

**E&OE Pricing and all details subject to change without notice - Copyright Miniature Bearings Australia Pty Ltd
MBA Size Listings are a guide to sizes only and must not be solely relied on for critical design information.**

Bearings - Spyraflo - Flange Mount - Non Aligning

Part Number	Nominal Shaft Size mm	Max. Radial Dynamic Load N	Material	Min to Max Shaft Dia. mm	Max Speed RPM	A mm	B mm	C mm	D mm	More Information
# BFM-312-NN	7.938	2891	Needle Roller	7.925 to 7.938	35500	16.67	53.34	30.23	38.86	Refer Tech Data Sheet
# BFM-312-PN	7.938	9430	Teflon Bronze	7.889 to 7.912	4820	13.49	45.72	22.35	30.73	Refer Tech Data Sheet
# BFM-8M-NN	8.000	2750	Needle Roller	7.991 to 8.000	28000	16.70	53.00	30.30	38.80	Refer Tech Data Sheet
# BFM-8M-PN	8.000	8000	Teflon Bronze	7.972 to 7.987	4770	16.50	53.00	30.20	39.00	Refer Tech Data Sheet
# BFM-375-NN	9.525	2891	Needle Roller	9.512 to 9.525	29500	21.43	45.21	31.75	30.99	Refer Tech Data Sheet
# BFM-375-PN	9.525	15124	Teflon Bronze	9.477 to 9.500	4010	16.67	53.09	30.23	38.86	Refer Tech Data Sheet
# BFM-10M-NN	10.000	4400	Needle Roller	9.991 to 10.000	23000	22.00	45.00	31.80	31.00	Refer Tech Data Sheet
# BFM-10M-PN	10.000	12500	Teflon Bronze	9.972 to 9.987	3820	16.50	53.00	30.20	39.00	Refer Tech Data Sheet
# BFM-12M-NN	12.000	4950	Needle Roller	11.989 to 12.000	20000	22.00	45.00	31.80	31.00	Refer Tech Data Sheet
# BFM-12M-PN	12.000	15170	Teflon Bronze	11.966 to 11.984	3180	22.00	60.00	36.50	45.00	Refer Tech Data Sheet
# BFM-500-NN	12.700	4626	Needle Roller	12.687 to 12.700	22000	23.02	53.34	32.00	38.86	Refer Tech Data Sheet
# BFM-500-PN	12.700	20150	Teflon Bronze	12.649 to 12.675	3010	21.43	53.09	32.00	38.86	Refer Tech Data Sheet
# BFM-562-NN	14.275	Insert Load Here	Needle Roller		0.00	0.00	0.00	0.00	0.00	
# BFM-15M-NN	15.000	7900	Needle Roller	14.989 to 15.000	16000	28.00	59.40	39.60	45.20	Refer Tech Data Sheet
# BFM-625-NN	15.875	8140	Needle Roller	15.862 to 15.875	17600	27.78	59.44	39.62	45.21	Refer Tech Data Sheet
# BFM-625-PN	15.875	25221	Teflon Bronze	15.824 to 15.850	2410	23.02	53.09	32.00	38.86	Refer Tech Data Sheet

E&OE Pricing and all details subject to change without notice - Copyright Miniature Bearings Australia Pty Ltd
MBA Size Listings are a guide to sizes only and must not be solely relied on for critical design information.

Bearings - Spyraflo - Flange Mount - Non Aligning

Part Number	Nominal Shaft Size mm	Max. Radial Dynamic Load N	Material	Min to Max Shaft Dia. mm	Max Speed RPM	A mm	B mm	C mm	D mm	More Information
# BFM-16M-PN	16.000	20000	Teflon Bronze	15.966 to 15.984	2390	23.00	53.00	32.00	39.00	Refer Tech Data Sheet
# BFM-187-PN	18.000	Insert Load Here	Teflon Bronze							
# BFM-18M-PN	18.000	33750	Teflon Bronze	17.966 to 17.984	2120	28.00	60.00	39.70	45.00	Refer Tech Data Sheet
# BFM-750-NN	19.050	9831	Needle Roller	19.037 to 19.050	14700	32.54	59.44	39.62	45.21	Refer Tech Data Sheet
# BFM-750-PN	19.050	30248	Teflon Bronze	19.000 to 19.027	2010	27.78	59.69	39.62	45.21	Refer Tech Data Sheet

**E&OE Pricing and all details subject to change without notice - Copyright Miniature Bearings Australia Pty Ltd
MBA Size Listings are a guide to sizes only and must not be solely relied on for critical design information.**

DISTRIBUTED BY



H.E. Supplies Pty Ltd

**Hobby Supplies
Engineering Supplies**



ABN 54 125 001 541

Phone: 07 3216 8166 Fax: 07 3349 1400 <http://www.hobbyparts.com.au/>

SDPSI
Stock Line Products/Selling Instrument



GRO

JJK



DualVee
Bishop-Wisecarver Corp.

ANOTHER QUALITY PRODUCT BY
MOYTEC
motors



myonic
solutions in microspace

ondrives

Origin
BEARING

rino

RMB

WIB



SOLARBOTICS

THOMSON

inox
Quality Products

KSK
BALL BEARING