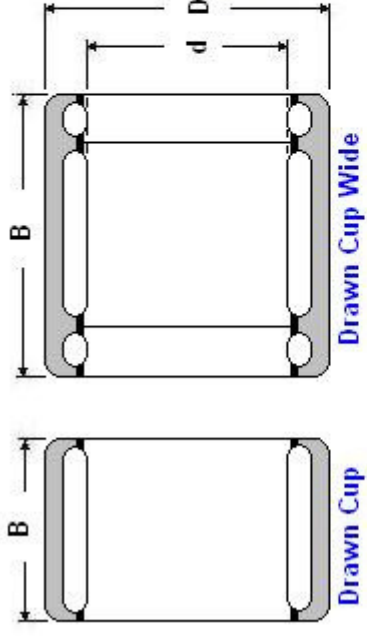




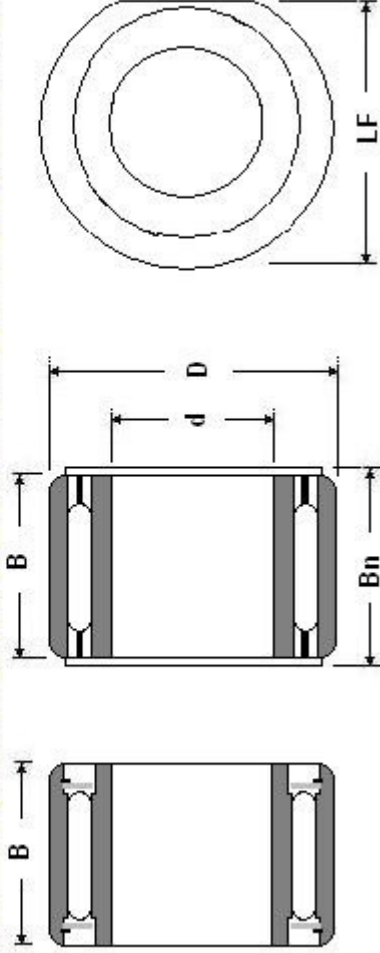
## Bearings - One Way - Roller

Roller Clutch Bearings rotate in one direction only.

Recommended Shaft Diameter for Clutch Bearings without Inner Ring is +0.000 / -0.005 mm



With Inner Race Type (LF is distance from edge of locating flat where applic.)



## Bearings - One Way - Roller

Part Number	ID (d) mm	OD (D) mm	Width (B) mm	Overall Width (Bn) mm	Overrun	Limiting Speed RPM	Locating Flat (LF)	Type	Material (Bearing / Cage)	Max Torque N.m
RC03.17x07.14x06.35	3.175	7.144	6.350		50000		Drawn Cup Standard	Steel / Steel	0.32	
RC04.00x08.00x06.00	4.000	8.000	6.000		34000		Drawn Cup Standard	Steel / Steel	0.34	

E&OE Pricing and all details subject to change without notice - Copyright Miniature Bearings Australia Pty Ltd  
MBA Size Listings are a guide to sizes only and must not be solely relied on for critical design information.

## Bearings - One Way - Roller

Part Number	ID (d) mm	OD (D) mm	Width (B) mm	Overall Width (Bn) mm	Limiting Speed RPM	Overrun	Locating Flat (LF)	Type	Material (Bearing / Cage)	Max Torque N.m
RC04.00x08.00x06.00-QDHD-P	4.000	8.000	6.000		Not Listed			Drawn Cup Quad Shaped OD	Steel / Plastic	Not Listed
# RC04.00x08.00x06.00-QDLD-P	4.000	8.000	6.000		Not Listed			Drawn Cup Quad Shaped OD	Steel / Plastic	Not Listed
# RC04.00x08.00x08.00	4.000	8.000	8.000		34000			Drawn Cup Wide (With Sintered Bearing Support)	Steel / Steel	0.34
RC04.00x09.00x06.00-M	4.000	9.000	6.000	-	Not Listed		8.700	Machined Shell	Steel / Steel	0.196
# RC04.00x10.00x06.00-M	4.000	10.000	6.000	-	Not Listed		9.700	Machined Shell	Steel / Steel	0.196
RC04.00x13.00x03.10-IR	4.000	13.000	2.000	3.100	Not Listed		12.700	With Inner Race	Steel / Steel	0.147
RC05.00x11.00x7.00-IR	5.000	11.000	7.000		Not Listed			With Inner Race	Steel / Steel	0.294
# RC06.00x10.00x08.00-HXLD-P	6.000	10.000	8.000		Not Listed			Drawn Cup Hex Shaped OD	Steel / Plastic	Not Listed
RC06.00x10.00x08.00-HX-NY	6.000	10.000	8.000		Not Listed			Drawn Cup Hex Shaped OD	Steel / Nylon	Not Listed
RC06.00x10.00x08.00-HXHD-P	6.000	10.000	8.000		Not Listed			Drawn Cup Hex Shaped OD	Steel / Plastic	Not Listed
RC06.00x10.00x12.00	6.000	10.000	12.000		23000			Drawn Cup Standard	Steel / Steel	1.76
RC06.00x10.00x12.00-HX-NY	6.000	10.000	12.000		Not Listed			Drawn Cup Hex Shaped OD	Steel / Nylon	Not Listed
# RC06.00x10.00x15.00	6.000	10.000	15.000		23000			Drawn Cup Wide (With Sintered Bearing Support)	Steel / Steel	1.76
# RC06.00x12.00x06.00-M	6.000	12.000	6.000	-	Not Listed		11.700	Machined Shell	Steel / Steel	0.294
RC06.00x12.00x07.00-IR	6.000	12.000	7.000		Not Listed			With Inner Race	Steel / Steel	0.392
# RC06.00x16.00x03.50-IR	6.000	16.000	2.500	3.500	Not Listed		15.700	With Inner Race	Steel / Steel	0.196
# RC06.35x11.11x12.70	6.350	11.112	12.700		38000			Drawn Cup Standard	Steel / Steel	1.94

**E&OE Pricing and all details subject to change without notice - Copyright Miniature Bearings Australia Pty Ltd  
MBA Size Listings are a guide to sizes only and must not be solely relied on for critical design information.**

## Bearings - One Way - Roller

Part Number	ID (d) mm	OD (D) mm	Width (B) mm	Overall Width (Bn) mm	Limiting Speed RPM	Overrun	Locating Flat (LF)	Type	Material (Bearing / Cage)	Max Torque N.m
RC08.00x12.00x09.00-HXHD-P	8.000	12.000	9.000		Not Listed	Not Listed		Drawn Cup Hex Shaped OD	Steel / Plastic	Not Listed
# RC08.00x12.00x09.00-HXLD-P	8.000	12.000	9.000		Not Listed	Not Listed		Drawn Cup Hex Shaped OD	Steel / Plastic	Not Listed
RC08.00x12.00x12.00	8.000	12.000	12.000		17000			Drawn Cup Standard	Steel / Steel	3.15
# RC08.00x12.00x22.00	8.000	12.000	22.000		17000			Drawn Cup Wide (With Bearing Support)	Steel / Steel	3.15
# RC08.00x14.00x12.00	8.000	14.000	12.000		30500			Drawn Cup Standard	Steel / Steel	4.04
# RC08.00x14.00x20.00	8.000	14.000	20.000		30500			Drawn Cup Wide (With Bearing Support)	Steel / Steel	4.04
# RC08.00x14.20x12.00-HXHD-P	8.000	14.200	12.000		Not Listed	Not Listed		Drawn Cup Hex Shaped OD	Steel / Plastic	Not Listed
# RC08.00x14.20x12.00-HXLD-P	8.000	14.200	12.000		Not Listed	Not Listed		Drawn Cup Hex Shaped OD	Steel / Plastic	Not Listed
RC08.00x14.20x12.00-HX-NY	8.000	14.200	12.000		Not Listed	Not Listed		Drawn Cup Hex Shaped OD	Steel / Nylon	Not Listed
# RC08.00x14.20x14.50-HX-NY	8.000	14.200	14.500		Not Listed	Not Listed		Drawn Cup Hex Shaped OD	Steel / Nylon	Not Listed
RC08.00x16.00x05.50-IR	8.000	16.000	4.500	5.500	Not Listed	Not Listed	15.500	With Inner Race	Steel / Steel	0.392
# RC08.00x16.00x09.00-M	8.000	16.000	9.000	-	Not Listed	Not Listed	15.700	Machined Shell	Steel / Steel	0.539
# RC08.00x16.00x10.00-IR	8.000	16.000	10.000		Not Listed	Not Listed		With Inner Race	Steel / Steel	0.784
# RC09.52x15.88x12.70	9.525	15.875	12.700		25300			Drawn Cup Standard	Steel / Steel	5.13
# RC09.52x15.88x22.22	9.525	15.875	22.225		25500			Drawn Cup Wide (With Bearing Support)	Steel / Steel	5.13
RC10.00x14.00x12.00	10.000	14.000	12.000		14000			Drawn Cup Standard	Steel / Steel	5.3

**E&OE Pricing and all details subject to change without notice - Copyright Miniature Bearings Australia Pty Ltd**  
**MBA Size Listings are a guide to sizes only and must not be solely relied on for critical design information.**

## Bearings - One Way - Roller

Part Number	ID (d) mm	OD (D) mm	Width (B) mm	Overall Width (Bn) mm	Limiting Speed RPM	Overrun	Locating Flat (LF)	Type	Material (Bearing / Cage)	Max Torque N.m
# RC10.00x14.00x22.00	10.000	14.000	22.000		14000			Drawn Cup Wide (With Bearing Support)	Steel / Steel	5.3
# RC10.00x16.00x10.00-HXHD-P	10.000	16.000	10.000		Not Listed			Drawn Cup Hex Shaped OD	Steel / Plastic	Not Listed
# RC10.00x16.00x10.00-HXLD-P	10.000	16.000	10.000		Not Listed			Drawn Cup Hex Shaped OD	Steel / Plastic	Not Listed
SRC10.00x16.00x10.00-HXHD-P	10.000	16.000	10.000		Not Listed			Drawn Cup Hex Shaped OD	Stainless Steel / Plastic	Not Listed
# RC10.00x16.00x12.00	10.000	16.000	12.000		23700			Drawn Cup Standard	Steel / Steel	5.6
RC10.00x16.00x12.00-HXHD-P	10.000	16.000	12.000		Not Listed			Drawn Cup Hex Shaped OD	Steel / Plastic	Not Listed
# RC10.00x16.00x12.00-HXLD-P	10.000	16.000	12.000		Not Listed			Drawn Cup Hex Shaped OD	Steel / Plastic	Not Listed
# RC10.00x16.00x12.00-HX-NY	10.000	16.000	12.000		Not Listed			Drawn Cup Hex Shaped OD	Steel / Nylon	Not Listed
# RC10.00x16.00x20.00	10.000	16.000	20.000		23700			Drawn Cup Wide (With Bearing Support)	Steel / Steel	5.6
# RC10.00x20.00x11.00-IR	10.000	20.000	11.000		Not Listed			With Inner Race	Steel / Steel	1.47
RC12.00x18.00x16.00	12.000	18.000	16.000		11000			Drawn Cup Standard	Steel / Steel	12.2
RC12.00x18.00x16.00-OC-NY	12.000	18.000	16.000		Not Listed			Drawn Cup Octagonal OD	Steel / Nylon	Not Listed
# RC12.00x18.00x26.00	12.000	18.000	26.000		11000			Drawn Cup Wide (With Bearing Support)	Steel / Steel	12.2
# RC12.70x19.05x12.70	12.700	19.050	12.700		18700			Drawn Cup Standard	Steel / Steel	8.3
# RC12.70x19.05x22.22	12.700	19.050	22.225		18700			Drawn Cup Wide (With Bearing Support)	Steel / Steel	8.3

**E&OE Pricing and all details subject to change without notice - Copyright Miniature Bearings Australia Pty Ltd  
MBA Size Listings are a guide to sizes only and must not be solely relied on for critical design information.**

## Bearings - One Way - Roller

Part Number	ID (d) mm	OD (D) mm	Width (B) mm	Overall Width (Bn) mm	Limiting Speed RPM	Overrun	Locating Flat (LF)	Type	Material (Bearing / Cage)	Max Torque N.m
# RC14.00x20.00x16.00	14.000	20.000	16.000		9500			Drawn Cup Standard	Steel / Steel	17.3
# RC14.00x20.00x26.00	14.000	20.000	26.000		9500			Drawn Cup Wide (With Bearing Support)	Steel / Steel	17.3
# RC15.88x22.22x15.88	15.875	22.225	15.875		14700			Drawn Cup Standard	Steel / Steel	16.1
# RC15.88x22.22x25.40	15.875	22.225	25.400		14700			Drawn Cup Wide (With Bearing Support)	Steel / Steel	16.1
RC16.00x22.00x16.00	16.000	22.000	16.000		8500			Drawn Cup Standard	Steel / Steel	20.5
# RC16.00x22.00x26.00	16.000	22.000	26.000		8500			Drawn Cup Wide (With Bearing Support)	Steel / Steel	20.5
# RC18.00x24.00x16.00	18.000	24.000	16.000		7500			Drawn Cup Standard	Steel / Steel	24.1
# RC18.00x24.00x26.00	18.000	24.000	26.000		7500			Drawn Cup Wide (With Bearing Support)	Steel / Steel	24.1
# RC19.05x25.40x15.88	19.050	25.400	15.875		11300			Drawn Cup Standard	Steel / Steel	22.1
# RC19.05x25.40x25.40	19.050	25.400	25.400		11300			Drawn Cup Wide (With Bearing Support)	Steel / Steel	22.1
# RC20.00x26.00x16.00	20.000	26.000	16.000		7000			Drawn Cup Standard	Steel / Steel	28.5
# RC20.00x26.00x26.00	20.000	26.000	26.000		7000			Drawn Cup Wide (With Bearing Support)	Steel / Steel	28.5
# RC25.00x32.00x20.00	25.000	32.000	20.000		5500			Drawn Cup Standard	Steel / Steel	66.0

**E&OE Pricing and all details subject to change without notice - Copyright Miniature Bearings Australia Pty Ltd  
MBA Size Listings are a guide to sizes only and must not be solely relied on for critical design information.**

## Bearings - One Way - Roller

Part Number	ID (d) mm	OD (D) mm	Width (B) mm	Overall Width (Bn) mm	Limiting Speed RPM	Overrun (LF)	Locating Flat (LF)	Type	Material (Bearing / Cage)	Max Torque N.m
# RC25.00x32.00x30.00	25.000	32.000	30.000		5500			Drawn Cup Wide (With Bearing Support)	Steel / Steel	66.0
# RC25.40x33.34x15.88	25.400	33.338	15.875		8670			Drawn Cup Standard	Steel / Steel	46.5
# RC25.40x33.34x27.00	25.400	33.338	27.000		8670			Drawn Cup Wide (With Bearing Support)	Steel / Steel	46.5
# RC30.00x37.00x20.00	30.000	37.000	20.000		4500			Drawn Cup Standard	Steel / Steel	90.0
# RC30.00x37.00x30.00	30.000	37.000	30.000		4500			Drawn Cup Wide (With Bearing Support)	Steel / Steel	90.0
# RC35.00x42.00x20.00	35.000	42.000	20.000		3900			Drawn Cup Standard	Steel / Steel	121.0
# RC35.00x42.00x30.00	35.000	42.000	30.000		3900			Drawn Cup Wide (With Bearing Support)	Steel / Steel	121.0

E&OE Pricing and all details subject to change without notice - Copyright Miniature Bearings Australia Pty Ltd  
MBA Size Listings are a guide to sizes only and must not be solely relied on for critical design information.

DISTRIBUTED BY



**H.E. Supplies Pty Ltd**

**Hobby Supplies  
Engineering Supplies**



ABN 54 125 001 541

Phone: 07 3216 8166 Fax: 07 3349 1400 <http://www.hobbyparts.com.au/>

**SDPSI**  
Stock Line Products/Selling Instrument



**GRO**

**JJK**



**DualVee**  
Bishop-Wisecarver Corp.

ANOTHER QUALITY PRODUCT BY  
**MOYTEC**  
motors



myonic  
solutions in microspace

**ondrives**

**Origin**  
BEARING

**rino**

**RMB**

**WIB**



**SOLARBOTICS**

**THOMSON**

**inox**  
Quality Products

**KSK**  
BALL BEARING